

ULTRASEAL™

Huliot's Waterproofing Membrane

Part of Huliot's ◀ **ULTRA SILENT™** soundproof wastewater and drainage piping system

The ultimate high-performance sealing and soundproofing solution to prevent moisture transition between floors



ADVANCED FLOW
SYSTEMS™

The **ULTRASEAL™** System

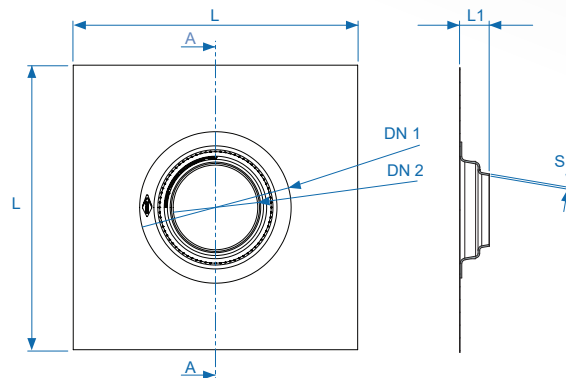
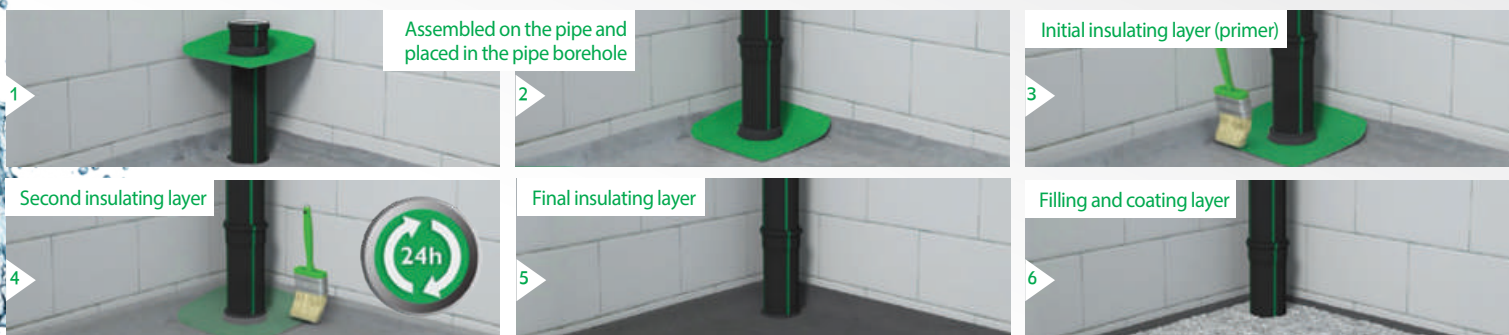
 ULTRASEAL™ Provides the ideal solution for preventing the structure-borne noise created between wastewater pipes and solid construction.

 ULTRASEAL™ Prevents moisture transition between floors at the pipe borehole.

 ULTRASEAL™ Integrates a thin, highly flexible, waterproof geotextile membrane for perfect adherence to sealants and bituminous cement.

The **ULTRASEAL™** Advantages

- Strong elastic gasket
- Fast, simple assembly
- No special tools or equipment required
- Elastic, flexible, durable
- Geotextile membrane meets European standards for wet rooms



Code	Item Description	DN1	DN2	L	A	S	L1	Pcs.	Pcs.
7981100000	UltraSeal 110	220 mm	102	340	340	3	52	5	30
7981250000	UltraSeal 125	239 mm	121	500	500	3	52	5	20
7981600000	UltraSeal 160	266 mm	149	500	500	3	52	5	20



Characteristics	Method	Unit	Value
Watertightness	EN-1928	-	Pass
Tensile strength (MD // CMD) * 1			
- Maximal tensile force (MD // CMD)	EN-12311-2 (A)	N50 mm	≥200 // ≥200
- Elongation (MD // CMD)		%	≥20 // ≥10
Resistance to static loading	EN 12730 (B)	kg	≥20
Resistance to impact	EN 12691 (A)	mm	≥500
Flexibility at low temperature	EN 495-5	°C	-20
UV stabilization	EN 1927	class	NDP
C2 cement adherence to the membrane after 28 days (14 days in laboratory conditions + 14 days at 70°)			
- Traction	EN 1348	N/mm2	≥ 0,7
- Shearing	EN 1324		≥ 1
Seal Specifications	All seals produced according to EN681-1 and SI 1124		
Compound	Materials: SBR and NR • Color: Black • Gravity Weight: 1.2 gr/cm ²		
Features	Suitable for use in wet rooms and environments with water. Dynamic properties (tensile strength and abrasion). Sealing resistance: - variable temperatures from -30°C to 80°C		



HULIOT A.C.S. Ltd. Kibbutz Sde Nechemia, Upper Galilee, 1214500 ISRAEL
 Tel: +972-4-6946011 | Fax: +972-4-6951444 | E-mail: info@huliot.com

www.huliot.com

