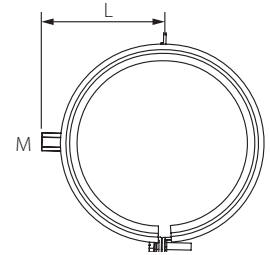





ACOUSTICCLAMP™

New! Huliot Acoustic Clamp for perfect Ultra Silent™ installation

- Structured rubber profile with hollow sections for maximal pipe grip and minimal vibration intensity passed to the constructive elements
- Easy and simple clamp fastening by a single screw on only one side
- EPDM rubber body with air ducts for vibration prevention
- Rubber softness level: 40 ± 5 shore



Code	DN	M	L	
7890011070	110	M8/M10	72	22
7890012570	125	M8/M10	80	20
7890016070	160	M8/M10	97	18

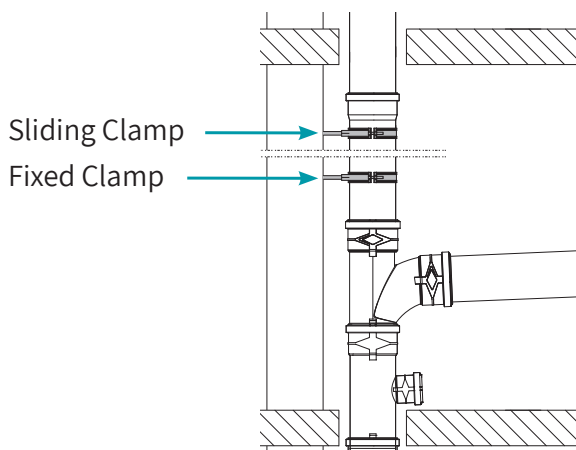
Installation Instructions

- Use Huliot acoustic clamps or equivalent products only
- It is advisable to install the clamps on external walls only. Installation on interior walls will adversely affect acoustic performance
- It is recommended to install the clamps around the head of the connection for a better grip

For vertical wall mounting, two Huliot Ultra Silent™ clamps should be assembled on every floor:

Fixed Clamp: The first of the two clamps should be installed at the lower third of the floor height of each floor, just below the pipe or fitting socket, and must be fully tightened.

Sliding Clamp: Should be mounted at the upper third of the floor height of each floor. The clamp should lightly press the pipe against the rubber rather than be closed tightly, to reduce the vibration intensity passed to the constructive elements.



Upper sliding clamp tightening level



Lower Fixed clamp tightening level

